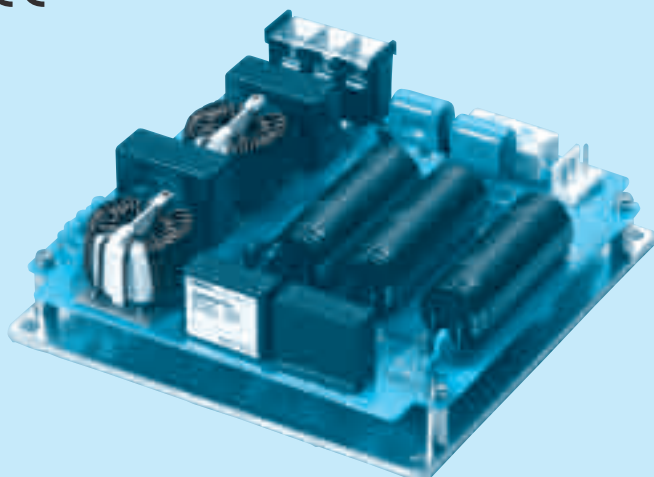


SNDPG750

SNDPG 750 - □

① ② ③



- ① Series name
- ② Output power
750 : 750W (ACIN 200V)
- ③ Optional
C :with Coating
R :with Remote ON/OFF
(Enable signal)

Please refer to Instruction manual 7.

* Please note that the unit's internal components is damaged if the output is short-circuit.

MODEL	SNDPG750	
AC INPUT[V]	AC85 - 264	AC170 - 264
MAX OUTPUT WATTAGE[W]	*1 500	750
DC OUTPUT VOLTAGE[V]	*2 360	

SPECIFICATIONS

	MODEL	SNDPG750		
INPUT	VOLTAGE[V]	AC85 - 264 1 φ	AC170 - 264 1 φ	
	POWER FACTOR CORRECTION RANGE[V]	AC85 - 264 1 φ		
	CURRENT[A]	5.72typ (ACIN 100V)	4.24typ (ACIN 200V)	
	FREQUENCY[Hz]	50/60 (47 - 63)		
	INRUSH CURRENT[A]	AC100V	20/20 typ (Io=100%) (Primary inrush current / Secondary inrush current) (More than 10 sec. to re-start)	
		*3 AC200V	40/20 typ (Io=100%) (Primary inrush current / Secondary inrush current) (More than 10 sec. to re-start)	
	EFFICIENCY[%]	93typ (ACIN 100V)	96typ (ACIN 200V)	
	POWER FACTOR	0.96typ (ACIN 100V)	0.93typ (ACIN 200V)	
LEAKAGE CURRENT[ma]	0.75 max (60Hz, According to IEC60950 and DEN-AN)			
OUTPUT	WATTAGE[W]	500	750	
	VOLTAGE[V]	*2 360		
	VOLTAGE ACCURACY	*4 ±2%		
PROTECTION CIRCUIT AND OTHERS	OVERVOLTAGE PROTECTION[V]	DC400 - 450V The power factor corrector function stops		
	ENA	*5 Enable signal, Open-correcter output		
	OTHERS	*6 Parallel operation impossible , Thermal protection		
ISOLATION	INPUT-OUTPUT, RC	*9 Non isolated		
	INPUT, OUTPUT, RC-FG	*9 AC2,800V 1minute Cutoff current = 10mA, DC500V, 50MΩ min (20±15°C)		
	OUTPUT-RC	*9 AC100V 1minute Cutoff current = 25mA, DC100V, 10MΩ min (20±15°C)		
ENVIRONMENT	OPERATING TEMP.,HUMID.AND ALTITUDE	*8 -20 to +95°C (Aluminum base plate of the power module), 20 - 95%RH (Non condensing) (Refer to DERATING CURVE) 3,000m (10,000feet) max		
	STORAGE TEMP.,HUMID.AND ALTITUDE	-20 to +95°C , 20 - 95%RH (Non condensing), 9,000m (30,000feet) max		
	VIBRATION	10 - 55Hz, 19.6m/s ² (2G), 3minutes period, 60minutes each along X, Y and Z axis		
	IMPACT	196.1m/s ² (20G), 11ms, once each along X, Y and Z axis		
SAFETY	SAFETY AGENCY APPROVALS	UL60950-1, C-UL, EN60950-1, Complies with DEN-AN		
	CONDUCTED NOISE	Complies with FCC-A, VCCI-A, CISPR22-A, EN55011-A, EN55022-A		
	HARMONIC ATTENUATOR	*7 Complies with IEC61000-3-2		
OTHERS	CASE SIZE/WEIGHT	125 X 44.5 X 127mm [4.92 X 1.75 X 5.0inches] (W X H X D) / 600g max		
	COOLING METHOD	Conduction cooling (e.g. heat radiation from the aluminum base plate to the attached heat sink)		

*1 Refer to the instruction manual 2.

*2 When the input voltage is more than 240V, the output voltage becomes the value proportional to the input voltage.

*3 The value is primary surge. The current of input surge to a built-in noise filter (0.2ms or less) is excluded.

*4 The value included the output setting and the line regulation, the load regulation and the temperature regulation. However, the input voltage is less than 240V.

*5 Refer to the instruction manual 4.4.

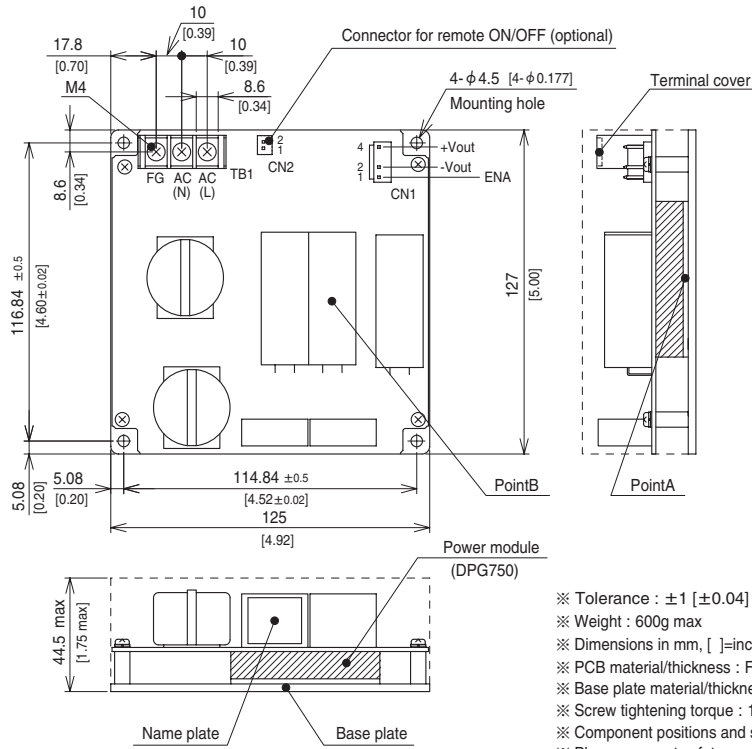
*6 The thermal protection stops the power factor corrector function and the ENA signal.

*7 Please contact us about class C.

*8 Refer to the instruction manual 6.2.

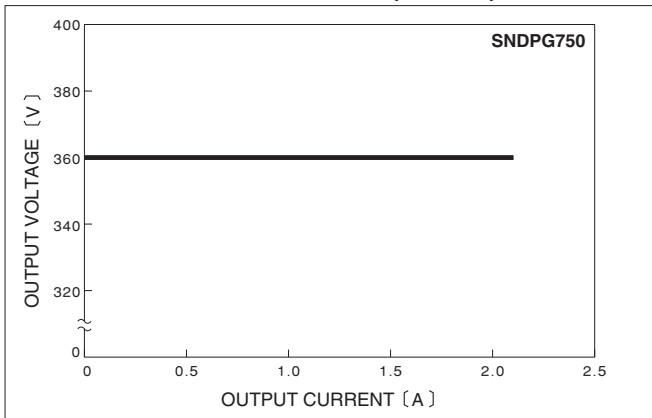
*9 Applicable when remote control (optional) is added.

External view

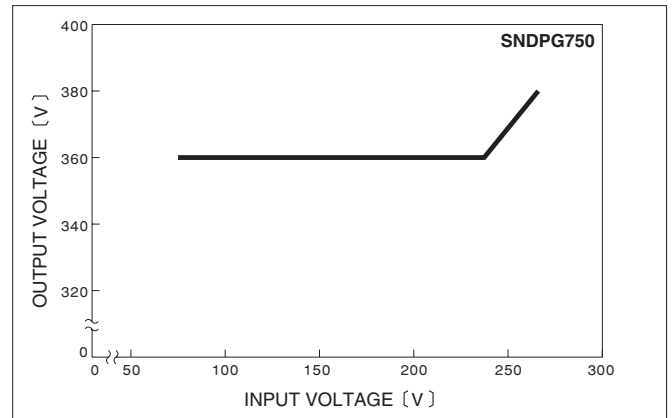


Performance data

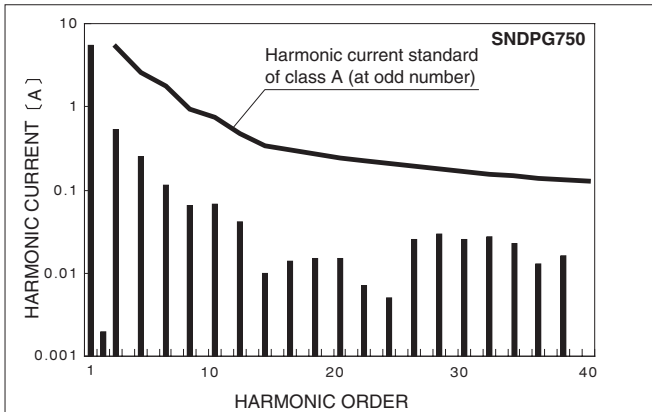
■ STATIC CHARACTERISTICS (AC230V)



■ OUTPUT VOLTAGE FOR INPUT



■ HARMONIC CURRENT (AC100V)



■ HARMONIC CURRENT (AC230V)

